

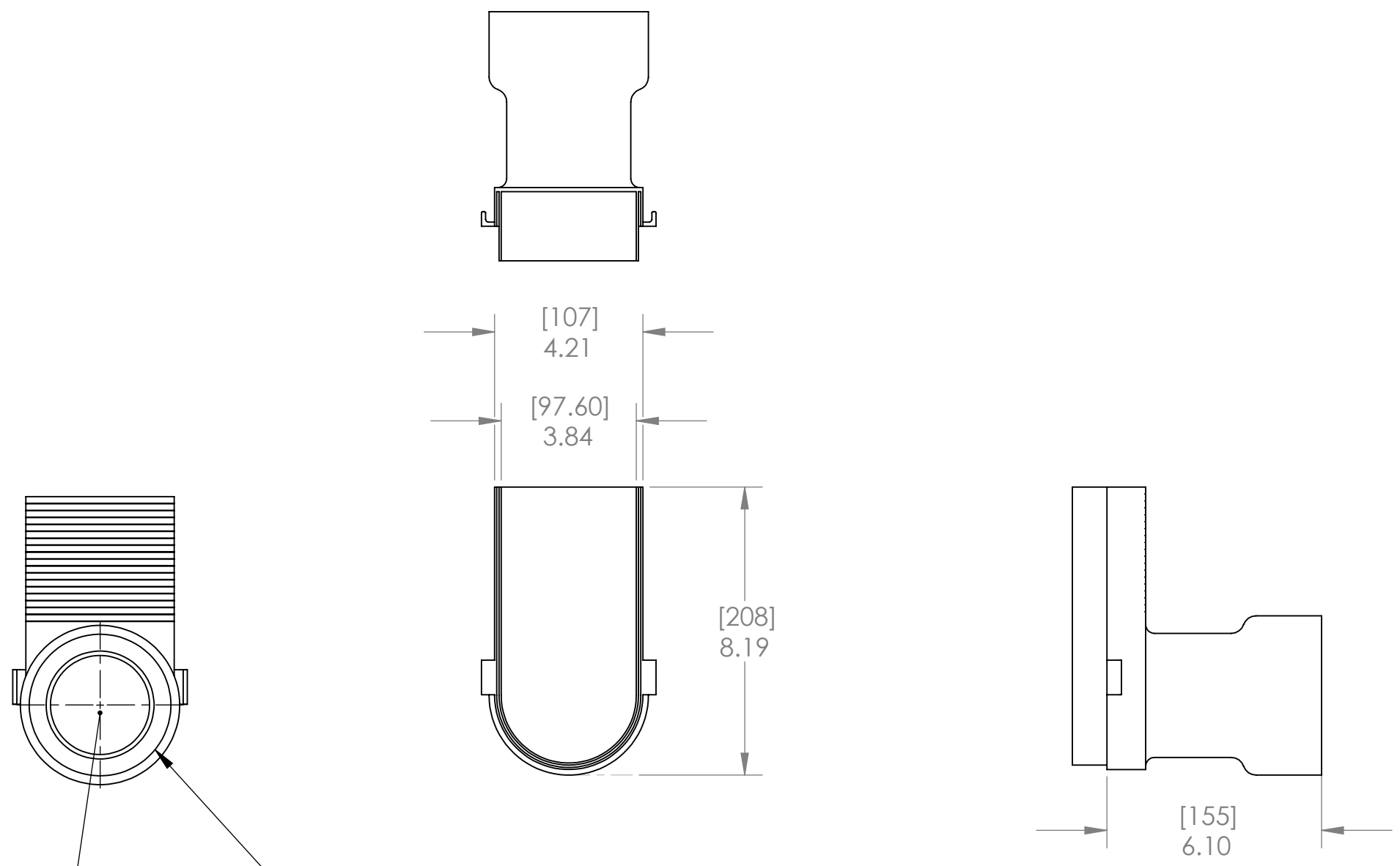
8 7 6 5 4 3 2 1

D  
C  
B  
A

D  
C  
B  
A

Remove this section  
if drain exit is through  
end cap

Opening accepts  
3" or 4" pipe



**PROPRIETARY AND CONFIDENTIAL**  
THE INFORMATION CONTAINED IN THIS DRAWING IS THE SOLE PROPERTY OF LIGHTHOUSE INDUSTRIES. ANY REPRODUCTION IN PART OR AS A WHOLE WITHOUT THE WRITTEN PERMISSION OF LIGHTHOUSE INDUSTRIES IS PROHIBITED.

		UNLESS OTHERWISE SPECIFIED:		NAME	DATE	<b>Quick Trench Series 6</b>		
		DIMENSIONS ARE IN INCHES		DRAWN	CB	Lighthouse Industries 107 Eastwood Road Michigan City, IN 46360 P: 219-879-1550 F: 219-879-1509		
				CHECKED		<b>Outlet Cap - PP</b>		
				ENG APPR.				
				MFG APPR.				
				Q.A.				
		INTERPRET GEOMETRIC TOLERANCING PER:		COMMENTS:				
		MATERIAL				SIZE	DWG. NO.	REV
		PP 40% TF				<b>B</b>	<b>Q6-OC-PP</b>	<b>0</b>
NEXT ASSY	USED ON	FINISH						
		SPI NO. 4 / C-3						
APPLICATION		DO NOT SCALE DRAWING				SCALE: 1:4		SHEET 1 OF 1

8 7 6 5 4 3 2 1