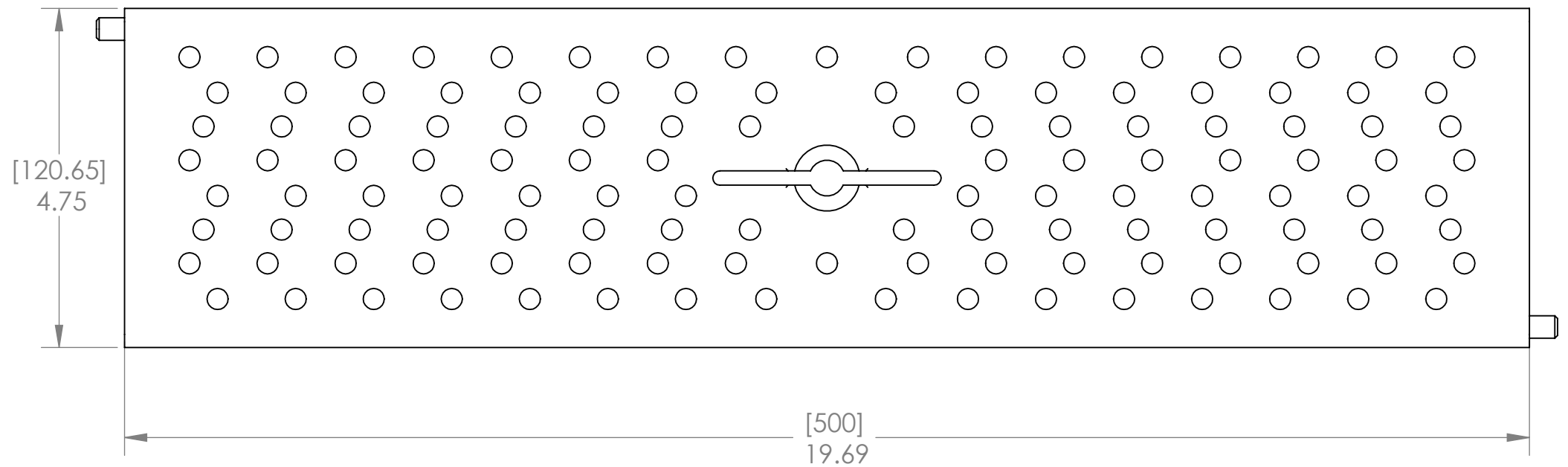
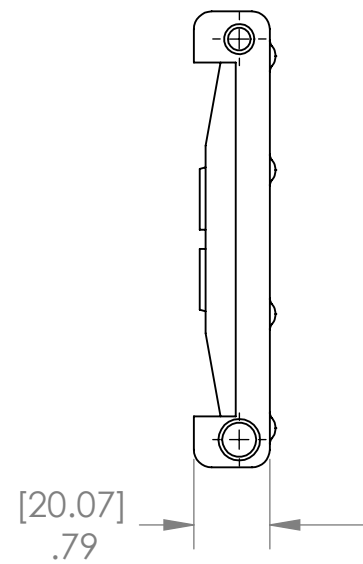


FLOW AREA: 33.42 IN<sup>2</sup>



**PROPRIETARY AND CONFIDENTIAL**  
 THE INFORMATION CONTAINED IN THIS DRAWING IS THE SOLE PROPERTY OF LIGHTHOUSE INDUSTRIES. ANY REPRODUCTION IN PART OR AS A WHOLE WITHOUT THE WRITTEN PERMISSION OF LIGHTHOUSE INDUSTRIES IS PROHIBITED.

		UNLESS OTHERWISE SPECIFIED:		NAME	DATE	<b>Quick Trench Series 6</b> Lighthouse Industries 107 Eastwood Road Michigan City, IN 46360 P: 219-879-1550 F: 219-879-1509	
		DIMENSIONS ARE IN INCHES		DRAWN	PCF		6-6-2005
				CHECKED			
				ENG APPR.			
				MFG APPR.			
		INTERPRET GEOMETRIC TOLERANCING PER:		Q.A.			
		MATERIAL		COMMENTS:			
		PVC					
		FINISH					
		SPI NO. 4 / C-3					
NEXT ASSY	USED ON	APPLICATION		DO NOT SCALE DRAWING			
				SIZE	DWG. NO.	REV	
				<b>B</b>	Q6-APPVC5	0	
				SCALE: 1:8	SHEET 1 OF 1		