

4

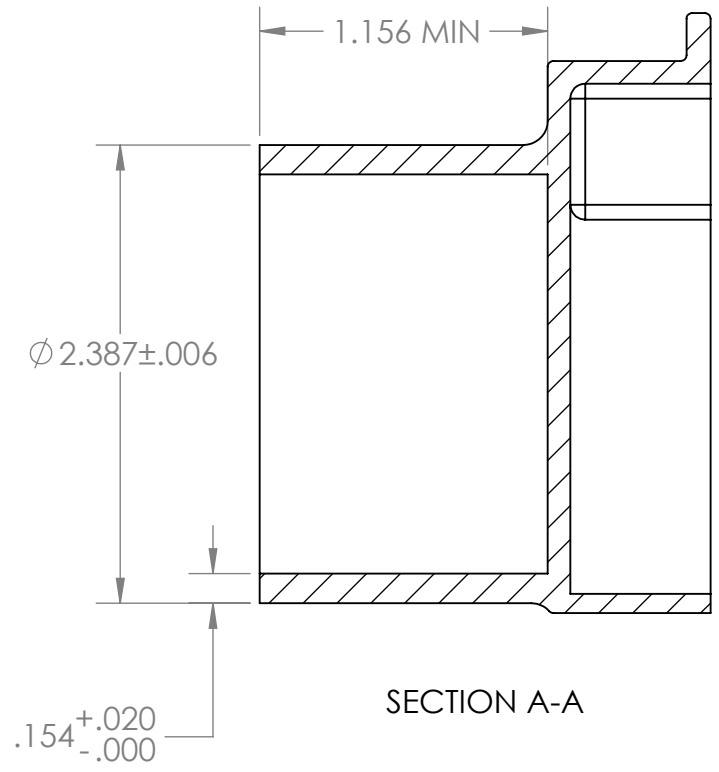
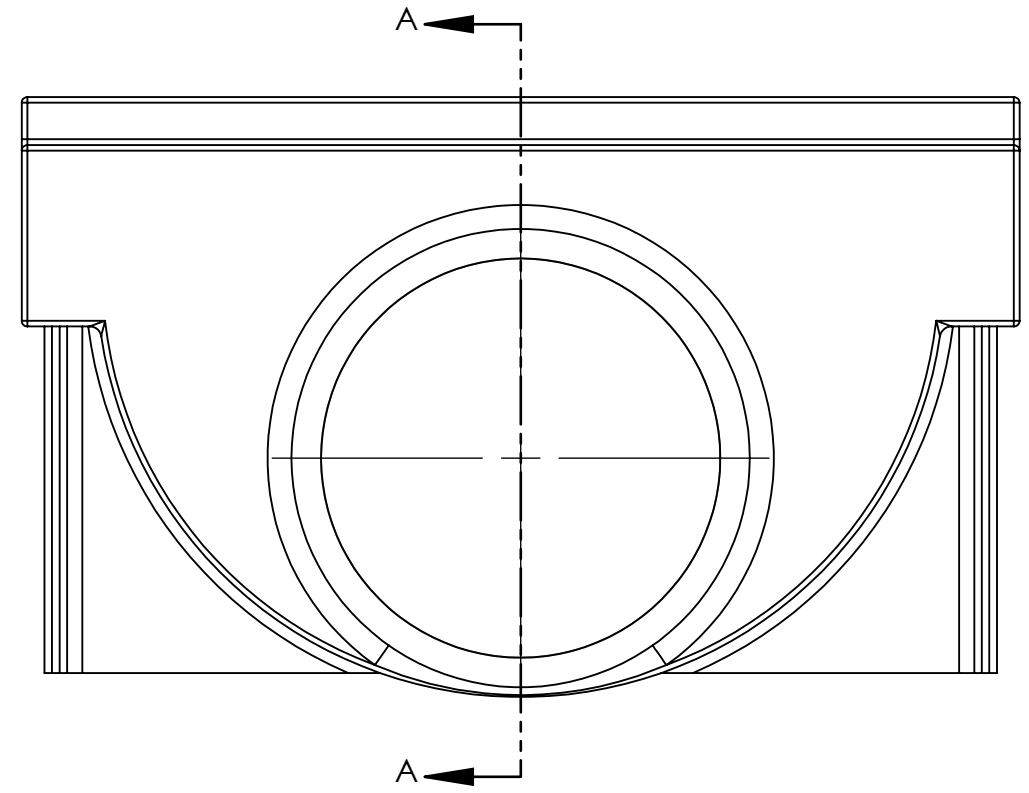
3

2

1

B

B



SECTION A-A

A

A

PROPRIETARY AND CONFIDENTIAL
 THE INFORMATION CONTAINED IN THIS DRAWING IS THE SOLE PROPERTY OF <INSERT COMPANY NAME HERE>. ANY REPRODUCTION IN PART OR AS A WHOLE WITHOUT THE WRITTEN PERMISSION OF <INSERT COMPANY NAME HERE> IS PROHIBITED.

		UNLESS OTHERWISE SPECIFIED:		NAME	DATE	TITLE: SHALLOW TRENCH 6 INCH OEC					
		DIMENSIONS ARE IN INCHES	DRAWN						SIZE	DWG. NO.	REV
		TOLERANCES:	CHECKED						B	6 inch wide shallow OEC	
		FRACTIONAL: \pm	ENG APPR.								
		ANGULAR: MACH \pm BEND \pm	MFG APPR.			SCALE: 1:1	WEIGHT:	SHEET 1 OF 1			
		TWO PLACE DECIMAL \pm	Q.A.								
		THREE PLACE DECIMAL \pm	COMMENTS:								
		INTERPRET GEOMETRIC TOLERANCING PER:									
		MATERIAL									
		FINISH									
NEXT ASSY	USED ON										
APPLICATION		DO NOT SCALE DRAWING									

4

3

2

1