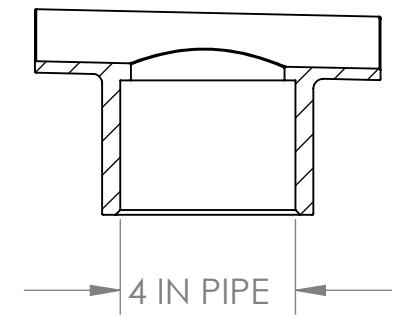
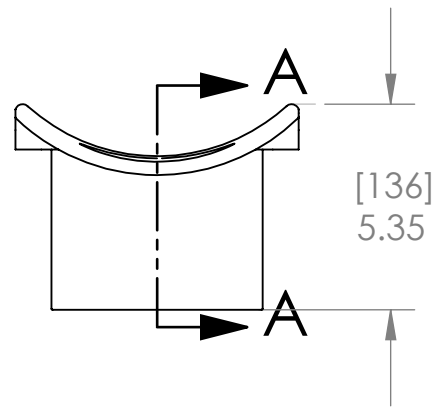
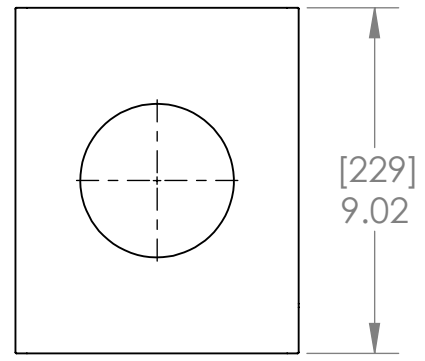


8 7 6 5 4 3 2 1

D  
C  
B  
A

D  
C  
B  
A



SECTION A-A

PROPRIETARY AND CONFIDENTIAL  
THE INFORMATION CONTAINED IN THIS  
DRAWING IS THE SOLE PROPERTY OF  
LIGHHOUSE INDUSTRIES. ANY  
REPRODUCTION IN PART OR AS A WHOLE  
WITHOUT THE WRITTEN PERMISSION OF  
LIGHHOUSE INDUSTRIES IS  
PROHIBITED.

		UNLESS OTHERWISE SPECIFIED: DIMENSIONS ARE IN INCHES		NAME	DATE	Quick Trench Series 12 Lighthouse Industries 107 Eastwood Road Michigan City, IN 46360 P: 219-879-1550 F: 219-879-1509			
			DRAWN	CB	10-2-10				
			CHECKED						
			ENG APPR.						
			MFG APPR.						
		INTERPRET GEOMETRIC TOLERANCING PER:	Q.A.			4 IN BOTTOM OUTLET			
		MATERIAL PP 40% TF	COMMENTS:				SIZE <b>B</b>	DWG. NO. Q12-BO4-PP	REV 0
		FINISH SPI NO. 4 / C-3					SCALE: 1:5		SHEET 1 OF 1
NEXT ASSY	USED ON	APPLICATION	DO NOT SCALE DRAWING						

8 7 6 5 4 3 2 1