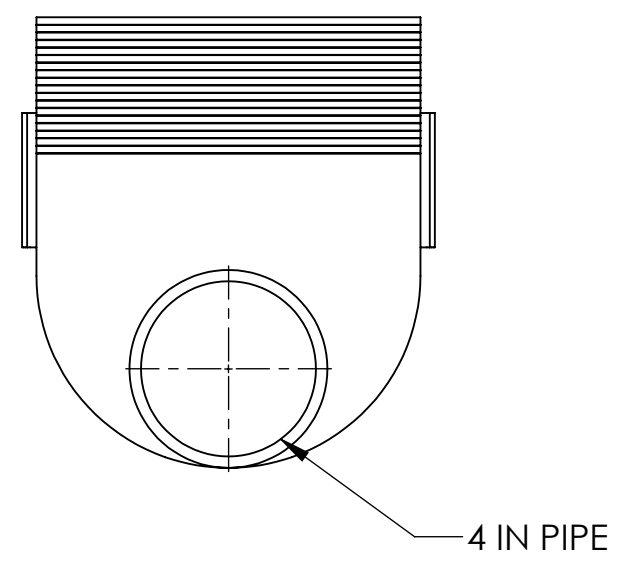
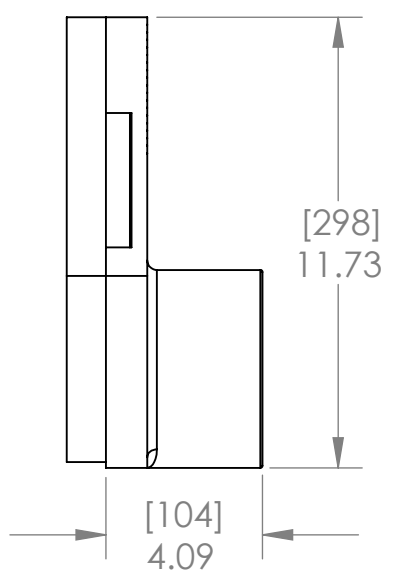
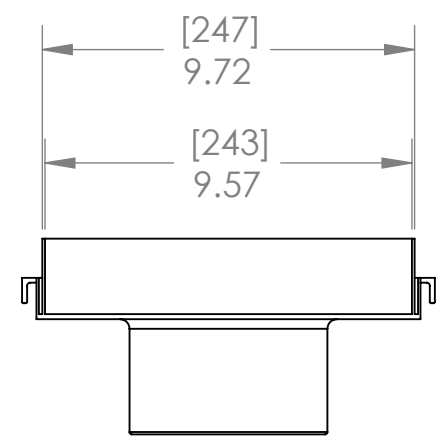


8 7 6 5 4 3 2 1

D  
C  
B  
A

D  
C  
B  
A



PROPRIETARY AND CONFIDENTIAL  
THE INFORMATION CONTAINED IN THIS  
DRAWING IS THE SOLE PROPERTY OF  
LIGHHOUSE INDUSTRIES. ANY  
REPRODUCTION IN PART OR AS A WHOLE  
WITHOUT THE WRITTEN PERMISSION OF  
LIGHHOUSE INDUSTRIES IS  
PROHIBITED.

		UNLESS OTHERWISE SPECIFIED:		NAME	DATE	Quick Trench Series 12		
		DIMENSIONS ARE IN INCHES		DRAWN	CB	Lighthouse Industries		
				CHECKED		107 Eastwood Road		
				ENG APPR.		Michigan City, IN 46360		
				MFG APPR.		P: 219-879-1550 F: 219-879-1509		
		INTERPRET GEOMETRIC TOLERANCING PER:		Q.A.		<b>4 IN OUTLET CAP</b>		
		MATERIAL		COMMENTS:				
		PP 40% TF				SIZE	DWG. NO.	REV
NEXT ASSY	USED ON	FINISH				<b>B</b>	<b>Q12-OC4-PVC &amp; PP</b>	<b>0</b>
APPLICATION		SPI NO. 4 / C-3				SCALE: 1:5		SHEET 1 OF 1
		DO NOT SCALE DRAWING						

8 7 6 5 4 3 2 1