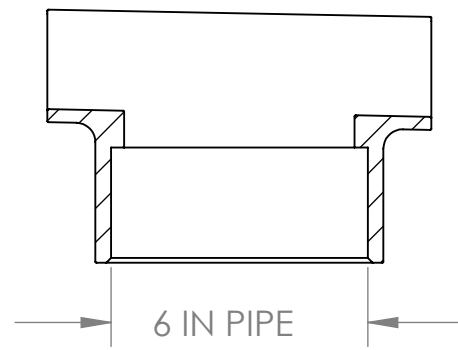
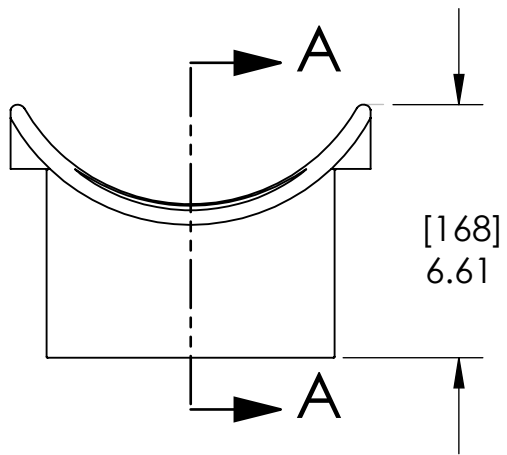
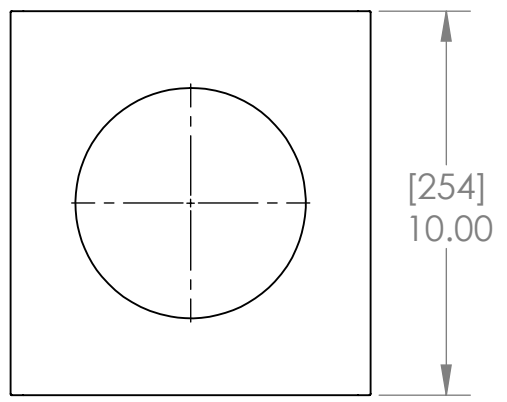


8 7 6 5 4 3 2 1

D
C
B
A

D
C
B
A



SECTION A-A

PROPRIETARY AND CONFIDENTIAL
THE INFORMATION CONTAINED IN THIS
DRAWING IS THE SOLE PROPERTY OF
LIGHHOUSE INDUSTRIES. ANY
REPRODUCTION IN PART OR AS A WHOLE
WITHOUT THE WRITTEN PERMISSION OF
LIGHHOUSE INDUSTRIES IS
PROHIBITED.

		UNLESS OTHERWISE SPECIFIED:		NAME	DATE	Quick Trench Series 12 Lighthouse Industries 107 Eastwood Road Michigan City, IN 46360 P: 219-879-1550 F: 219-879-1509
		DIMENSIONS ARE IN INCHES	DRAWN	CB	10-2-10	
			CHECKED			
			ENG APPR.			
			MFG APPR.			
		INTERPRET GEOMETRIC TOLERANCING PER:	Q.A.			6 IN BOTTOM OUTLET
		MATERIAL PP 40% TF	COMMENTS:			
		FINISH SPI NO. 4 / C-3				
NEXT ASSY	USED ON	APPLICATION	DO NOT SCALE DRAWING			SIZE B DWG. NO. Q12-BO6-PP REV 0
						SCALE: 1:5 SHEET 1 OF 1

8 7 6 5 4 3 2 1