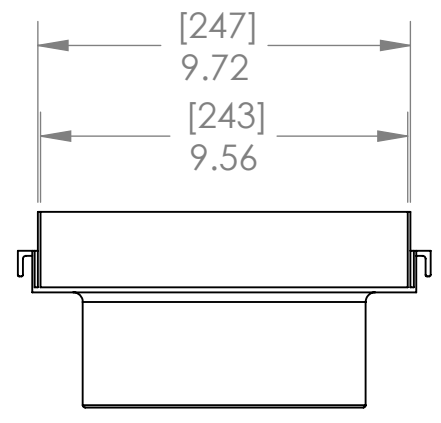


8 7 6 5 4 3 2 1

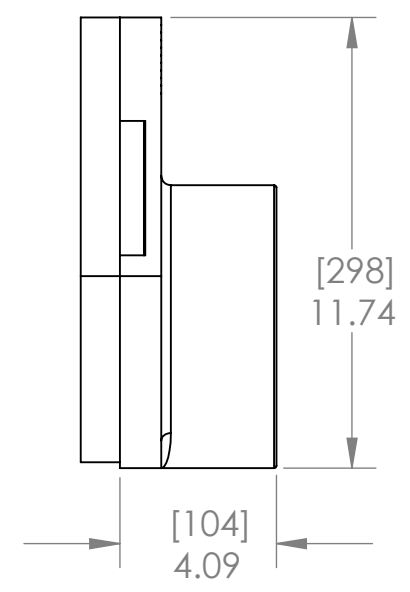
D

D



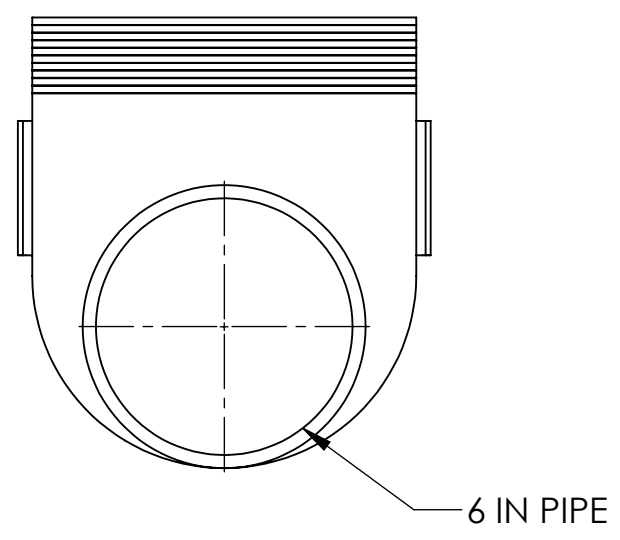
C

C



B

B



A

A

PROPRIETARY AND CONFIDENTIAL  
THE INFORMATION CONTAINED IN THIS  
DRAWING IS THE SOLE PROPERTY OF  
LIGHHOUSE INDUSTRIES. ANY  
REPRODUCTION IN PART OR AS A WHOLE  
WITHOUT THE WRITTEN PERMISSION OF  
LIGHHOUSE INDUSTRIES IS  
PROHIBITED.

		UNLESS OTHERWISE SPECIFIED:		NAME	DATE	<b>Quick Trench Series 12</b> Lighthouse Industries 107 Eastwood Road Michigan City, IN 46360 P: 219-879-1550 F: 219-879-1509		
		DIMENSIONS ARE IN INCHES	DRAWN	CB	10-2-10			
			CHECKED					
			ENG APPR.					
			MFG APPR.					
		INTERPRET GEOMETRIC TOLERANCING PER:		Q.A.		<b>6 IN OUTLET CAP</b>		
		MATERIAL		COMMENTS:				
		FINISH						
NEXT ASSY	USED ON	MATERIAL				SIZE	DWG. NO.	REV
		PP 40% TF				<b>B</b>	<b>Q12-OC-PVC &amp; PP</b>	<b>0</b>
		FINISH						
		SPI NO. 4 / C-3						
		DO NOT SCALE DRAWING				SCALE: 1:5		SHEET 1 OF 1

8 7 6 5 4 3 2 1