

8 7 6 5 4 3 2 1

D

D

C

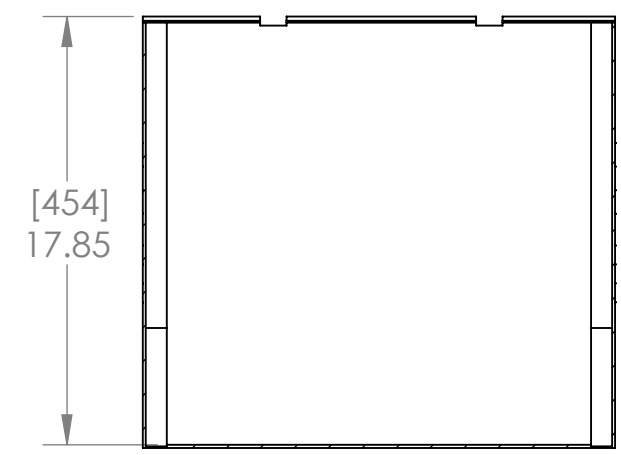
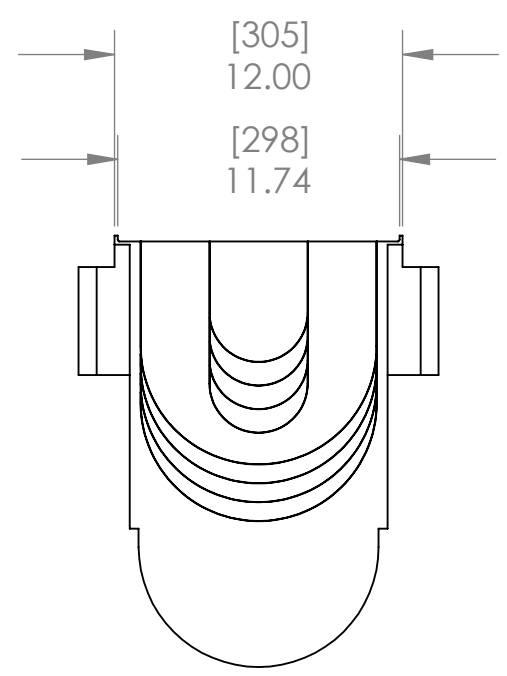
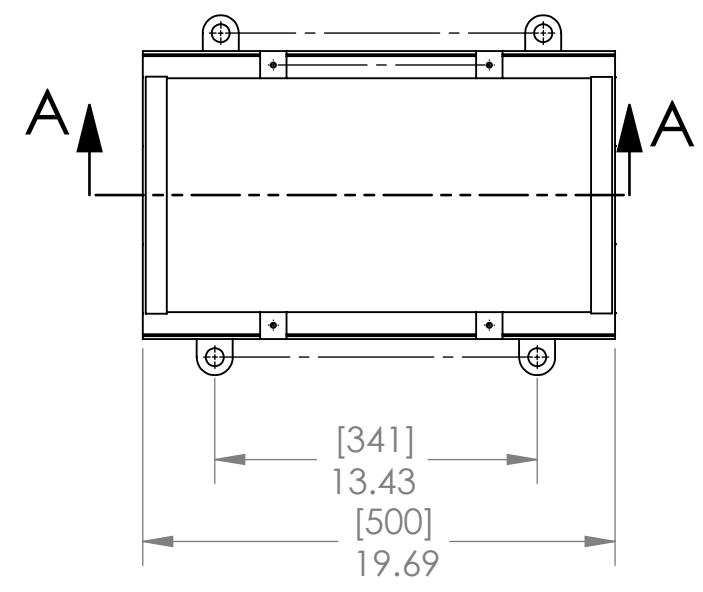
C

B

B

A

A



SECTION A-A
SCALE 1 : 8

PROPRIETARY AND CONFIDENTIAL
THE INFORMATION CONTAINED IN THIS
DRAWING IS THE SOLE PROPERTY OF
LIGHHOUSE INDUSTRIES. ANY
REPRODUCTION IN PART OR AS A WHOLE
WITHOUT THE WRITTEN PERMISSION OF
LIGHHOUSE INDUSTRIES IS
PROHIBITED.

		UNLESS OTHERWISE SPECIFIED:		NAME	DATE	Quick Trench Series 12 Lighthouse Industries 107 Eastwood Road Michigan City, IN 46360 P: 219-879-1550 F: 219-879-1509
		DIMENSIONS ARE IN INCHES	DRAWN	CB	10-2-10	
			CHECKED			
			ENG APPR.			
			MFG APPR.			
		INTERPRET GEOMETRIC TOLERANCING PER:	Q.A.			<h2 style="text-align: center;">CATCH BASIN</h2>
		MATERIAL PP 40% TF	COMMENTS:			
		FINISH SPI NO. 4 / C-3				
NEXT ASSY	USED ON	APPLICATION	DO NOT SCALE DRAWING			SIZE B DWG. NO. Q12-CB-PP REV 0
						SCALE: 1:10 SHEET 1 OF 1

8 7 6 5 4 3 2 1