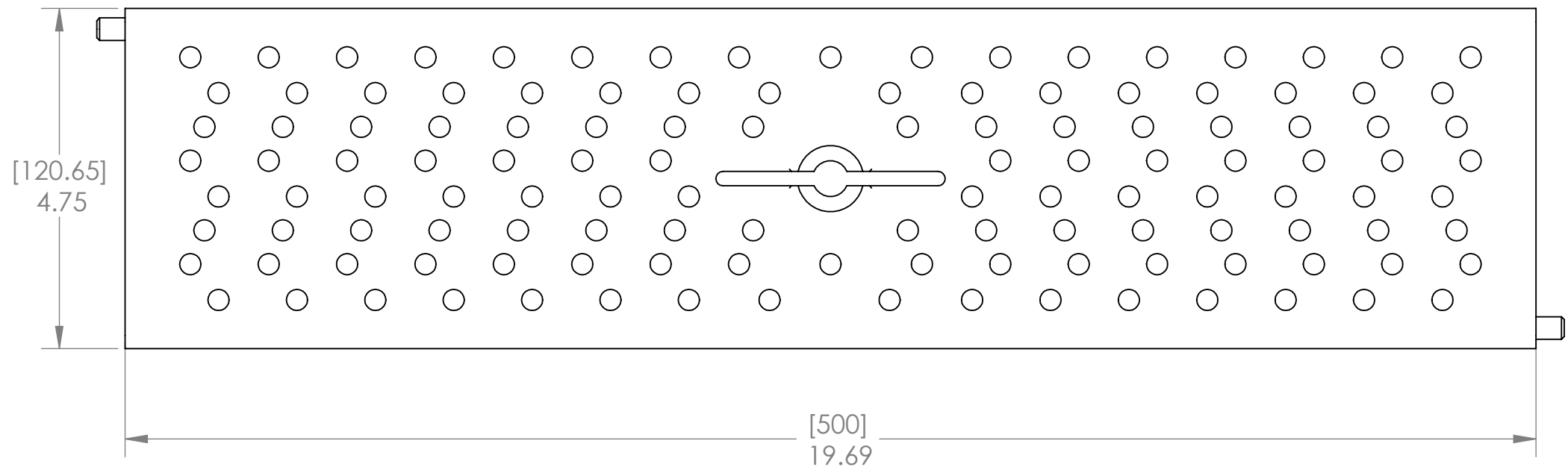
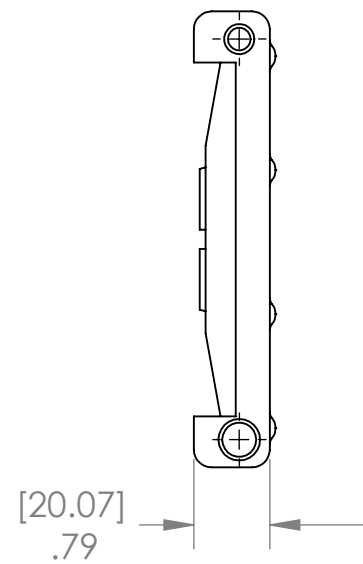


FLOW AREA: 33.42 IN²



PROPRIETARY AND CONFIDENTIAL
 THE INFORMATION CONTAINED IN THIS DRAWING IS THE SOLE PROPERTY OF LIGHTHOUSE INDUSTRIES. ANY REPRODUCTION IN PART OR AS A WHOLE WITHOUT THE WRITTEN PERMISSION OF LIGHTHOUSE INDUSTRIES IS PROHIBITED.

		UNLESS OTHERWISE SPECIFIED:		NAME	DATE	Quick Trench Series 6 Lighthouse Industries 107 Eastwood Road Michigan City, IN 46360 P: 219-879-1550 F: 219-879-1509		
		DIMENSIONS ARE IN INCHES	DRAWN	PCF	6-6-2005			
			CHECKED					
			ENG APPR.					
			MFG APPR.					
		INTERPRET GEOMETRIC TOLERANCING PER:	Q.A.			Grate - Perforated PP		
		MATERIAL	COMMENTS:					
		FINISH						
NEXT ASSY	USED ON	MATERIAL				SIZE	DWG. NO.	REV
		PP 40% TF				B	Q6-APPP5	0
		SPI NO. 4 / C-3				SCALE: 1:8		SHEET 1 OF 1
APPLICATION		DO NOT SCALE DRAWING						