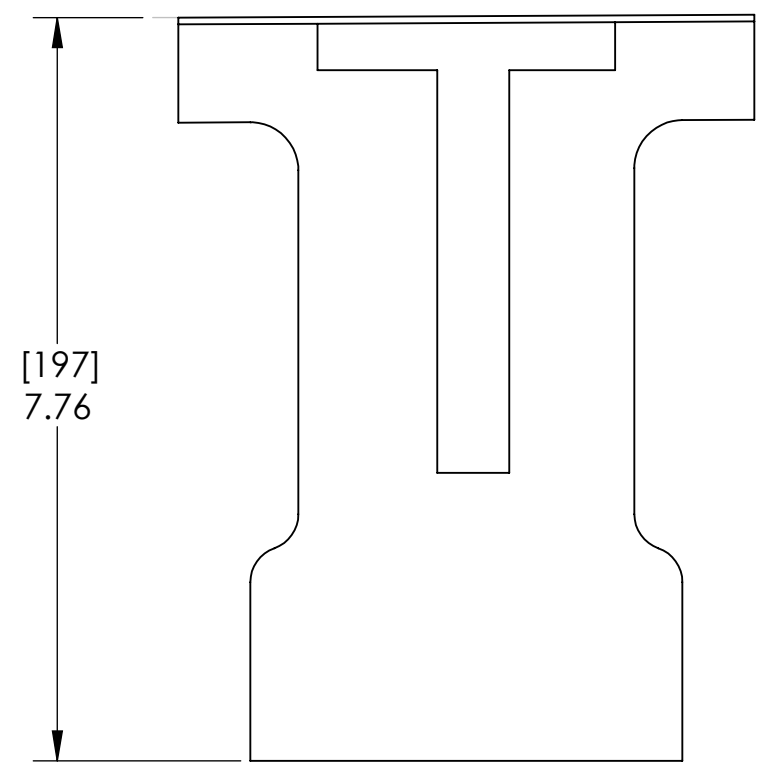
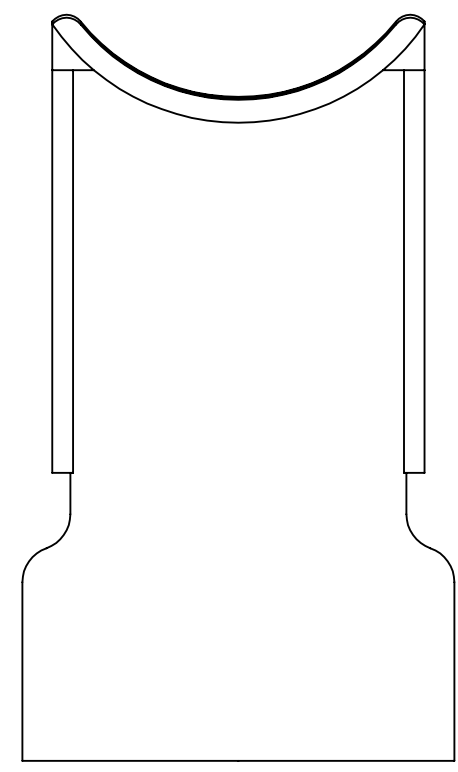


8 7 6 5 4 3 2 1

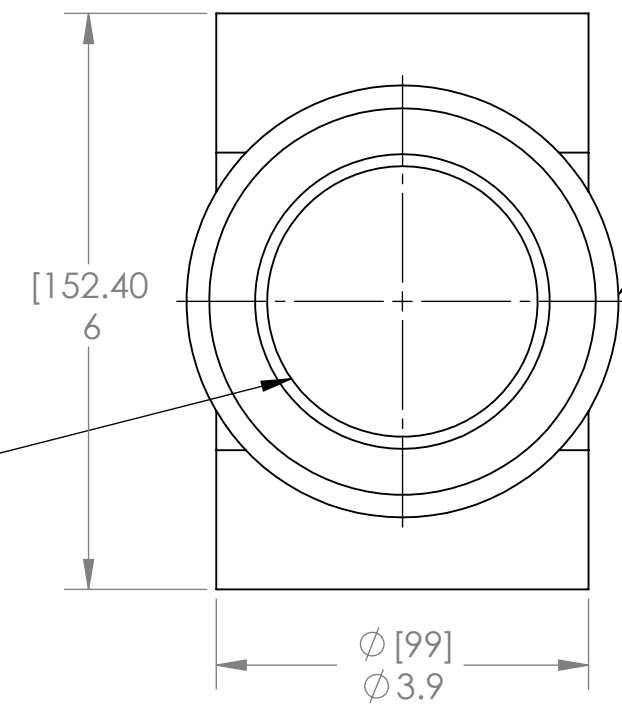
D
C
B
A

D
C
B
A



[197]
7.76

Remove section
inside Channel
after mounting
to enable bottom
drainage



Opening accepts
3" or 4" Pipe

[152.40]
6

Ø [99]
Ø 3.9

PROPRIETARY AND CONFIDENTIAL
THE INFORMATION CONTAINED IN THIS DRAWING IS THE SOLE PROPERTY OF LIGHTHOUSE INDUSTRIES. ANY REPRODUCTION IN PART OR AS A WHOLE WITHOUT THE WRITTEN PERMISSION OF LIGHTHOUSE INDUSTRIES IS PROHIBITED.

		UNLESS OTHERWISE SPECIFIED:		NAME	DATE	Quick Trench Series 6		
		DIMENSIONS ARE IN INCHES		DRAWN	CB	Lighthouse Industries 107 Eastwood Road Michigan City, IN 46360 P: 219-879-1550 F: 219-879-1509		
				CHECKED		Bottom Outlet - PP		
				ENG APPR.				
				MFG APPR.				
				Q.A.				
		INTERPRET GEOMETRIC TOLERANCING PER:		COMMENTS: Bottom Out let 3" & 4"				
		MATERIAL				SIZE	DWG. NO.	REV
		PP 40% TF				B	Q6-BO-PP	0
NEXT ASSY		USED ON						
APPLICATION		DO NOT SCALE DRAWING				SCALE: 1:4		
						SHEET 1 OF 1		

8 7 6 5 4 3 2 1