

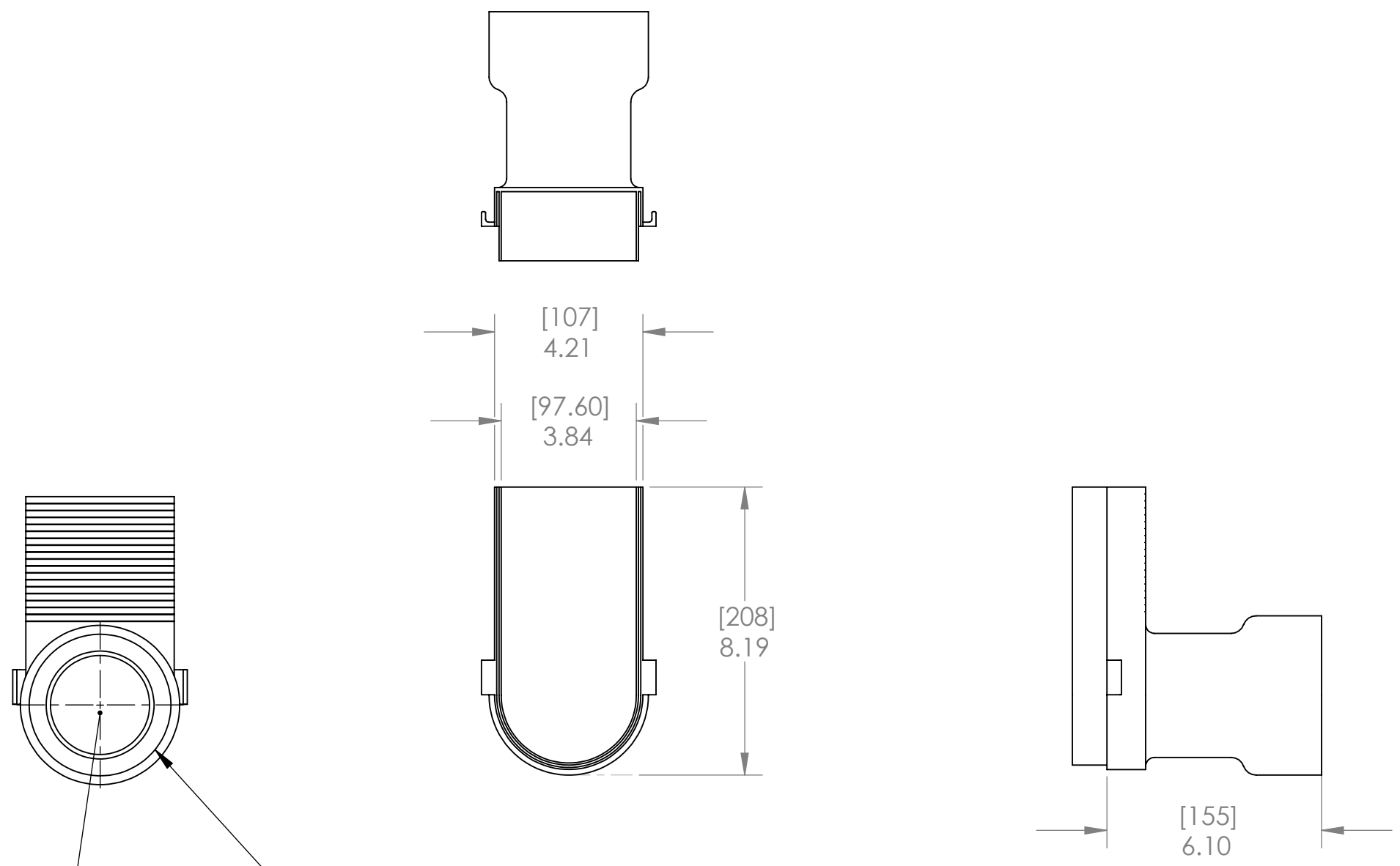
8 7 6 5 4 3 2 1

D  
C  
B  
A

D  
C  
B  
A

Remove this section  
if drain exit is through  
end cap

Opening accepts  
3" or 4" pipe



**PROPRIETARY AND CONFIDENTIAL**  
THE INFORMATION CONTAINED IN THIS DRAWING IS THE SOLE PROPERTY OF LIGHTHOUSE INDUSTRIES. ANY REPRODUCTION IN PART OR AS A WHOLE WITHOUT THE WRITTEN PERMISSION OF LIGHTHOUSE INDUSTRIES IS PROHIBITED.

		UNLESS OTHERWISE SPECIFIED:		NAME	DATE	<b>Quick Trench Series 6</b> Lighthouse Industries 107 Eastwood Road Michigan City, IN 46360 P: 219-879-1550 F: 219-879-1509	
		DIMENSIONS ARE IN INCHES		DRAWN	CB		Outlet Cap - PP
				CHECKED			
				ENG APPR.			
				MFG APPR.			
		INTERPRET GEOMETRIC TOLERANCING PER:		Q.A.		SIZE <b>B</b> DWG. NO. <b>Q6-OC-PP</b> REV <b>0</b>	
		MATERIAL		COMMENTS:			
		FINISH					
NEXT ASSY	USED ON	MATERIAL				SCALE: 1:4 SHEET 1 OF 1	
APPLICATION		PP 40% TF					
		FINISH					
		SPI NO. 4 / C-3					
		DO NOT SCALE DRAWING					

8 7 6 5 4 3 2 1