

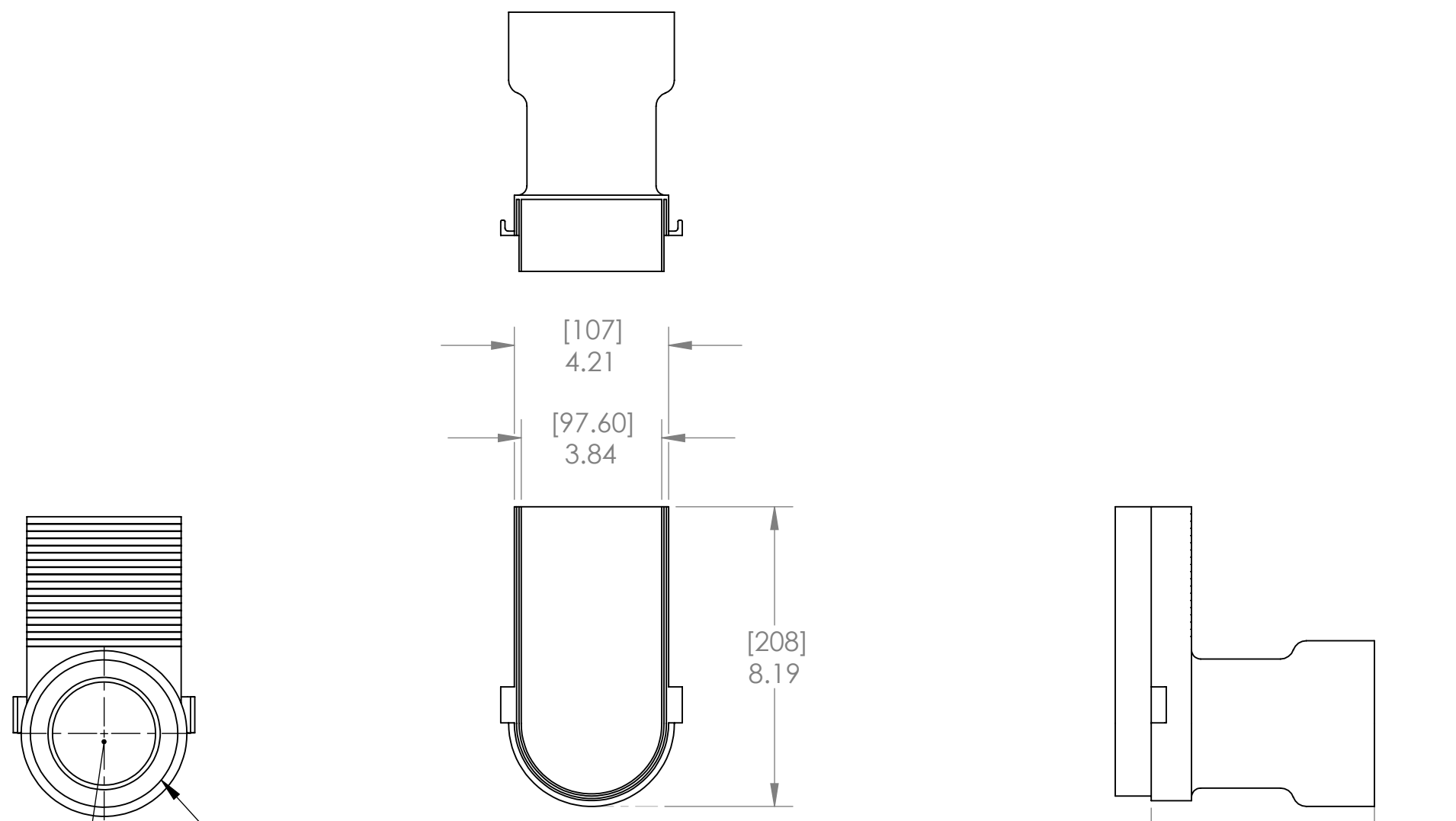
8 7 6 5 4 3 2 1

D
C
B
A

D
C
B
A

Remove this section
if drain exit is through
end cap

Opening accepts
3" or 4" pipe



PROPRIETARY AND CONFIDENTIAL
THE INFORMATION CONTAINED IN THIS DRAWING IS THE SOLE PROPERTY OF LIGHTHOUSE INDUSTRIES. ANY REPRODUCTION IN PART OR AS A WHOLE WITHOUT THE WRITTEN PERMISSION OF LIGHTHOUSE INDUSTRIES IS PROHIBITED.

		UNLESS OTHERWISE SPECIFIED:		NAME	DATE	Quick Trench Series 6	
		DIMENSIONS ARE IN INCHES		DRAWN	CB	Lighthouse Industries 107 Eastwood Road Michigan City, IN 46360 P: 219-879-1550 F: 219-879-1509	
				CHECKED		Outlet Cap - PVC	
				ENG APPR.			
				MFG APPR.			
				Q.A.			
		INTERPRET GEOMETRIC TOLERANCING PER:		COMMENTS:		SIZE DWG. NO. REV	
		MATERIAL PVC				B Q6-OC-PVC 0	
		FINISH SPI NO. 4 / C-3				SCALE: 1:4 SHEET 1 OF 1	
NEXT ASSY	USED ON	DO NOT SCALE DRAWING					
APPLICATION							

8 7 6 5 4 3 2 1